

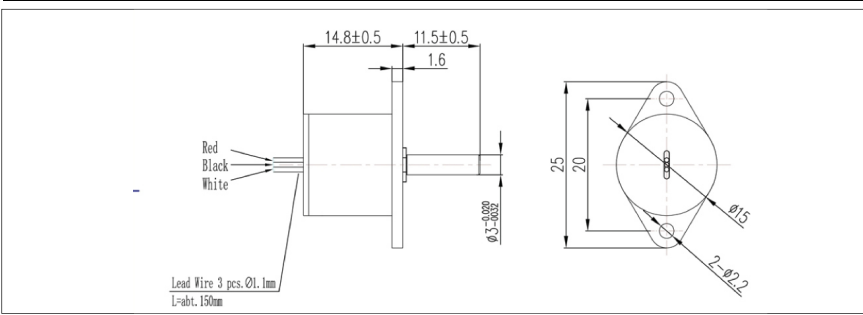
RotaCol® - *MiniLine* PRECISION ANALOG CONTACTLESS ROTARY POSITION SENSORS - FLANGE MOUNTING

Series 15A MCF

Analog - interface, Mini size 15mm housing flange, without endstop
Hall CMOS technology
Voltage output : 0-5V ratiometric
High performance metal case
Two ball bearings



www.rotacol.info/15amcf.pdf



V_{cc}-Supply (Red) OUT-Output (White) GND-Ground (Black)

ELECTRICAL CHARACTERISTICS

Electrical angle	0 to 360°	
Resolution	4096 step (12 bit)	
Independent linearity tolerance	± 0.3%	
Signal type	Supply voltage	Output signal
0505	5V ±10%	0 - 5V ratiometric
Supply current (mA)	< 16 mA	
Update rate	0.6ms	

MECHANICAL CHARACTERISTICS

Mechanical angle	360°(continuous)	
Shaft diameter and length (FMS)	3 mm Ø X 11.5mm	
Mechanical speed (Max.)	rpm	
Electrical speed (Max.)	160 rpm	
Rotational life	~15 million rotations	
Operating torque (approx.)	< 0.1 Ncm	
Operating temperature range	- 30 to +80° C	
Protection	IP 65	
Weight	15 g	

MATERIAL

Housing	Aluminium anodized
Shaft	Stainless Steel
Bearing	Ball bearing
Cable	3 leads multistrand wire 0.15 m

OPTIONS AND ORDERING REFERENCES

Housing diameter	Analog output	MiniLine RotaCol	Flange (shaft Ø 3mm)	Signal	Angle of Rotation	Electrical rotational direction	Special shaft length (std 11.5mm FMS)	Special torque : low (< 0.5 Ncm)	Special cable length (std 0.15m)
15	A	MC	F	S 0505	O 360	CW CCW	Axx	xT	CVxx
15	A	MC	F	Sxxxx	O360	CW/CCW	Axx	xT	CVxx
Example with description - 15 A MCF S0505 O360 CW 15 mm housing, analog output, MiniLine RotaCol, flange version / 3mm Ø shaft, 0-5V ratiometric output, without stop 360° clockwise									
Standard Version : 360° CW Electrical & Mechanical angle, 3 leads multistrand wire									

For complete RotaCol Contactless Rotary Sensor product range refer - www.rotacol.info/rotamec.pdf

European Sales & Technical Support

MegAuto KG
Am Tummelsgrund 48
D 01156 Dresden, Germany
Tel : +49 351 6587894 0 Fax : +49 351 6587894 9
Email : info@megauto.de / www.megauto.de

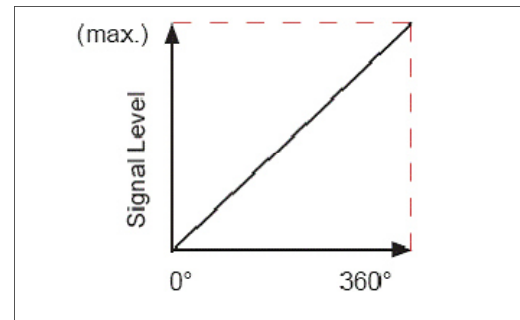
Worldwide Technical & Marketing Center

MegAuto International, SensAll Division
Div of Sendap Precision Electronics Pvt Ltd.
3, Electronic Sadan - I, MIDC, Bhosari, Pune - 411026, INDIA
Tel : +91 20 30681190 , +91 20 30626126
Email : mail@megacraft.net / www.sensall.info

FUNCTION PRINCIPLE

The determination of angular position and signal generation is realised by an intelligent CMOS Hall sensor. A diametrical polarised magnet induces its magnetic field into the sensor. It rotates and provides a conditioned signal to the integrated electronic.

ANALOG INTERFACE



At the output of the sensor a variable voltage is provided proportional to the position of the shaft / axis over a complete angle range of 360° or a subrange. The contactless sensor electronic guarantees a steady signal level and a very low linearity error of 0.3%. With supply voltage of 5V ± 10% , output signal of 0 - 5V (ratiometric) at the sensor is provided. Besides this a large variety of electrical options such as Zero point programming, Centre point programming, Multipoint programming are provided.

Please note: The specification and information in this datasheet cannot consider all special demands that are caused by the application. Because of this, they are no general description of the properties of the product. Megacraft does not assume any responsibility for damages due to improper application of our products. The user has to ensure on his own, that the products used are suitable for his application. Megacraft does not warrant the reproducibility of published information. The specifications can be changed any time without notice.